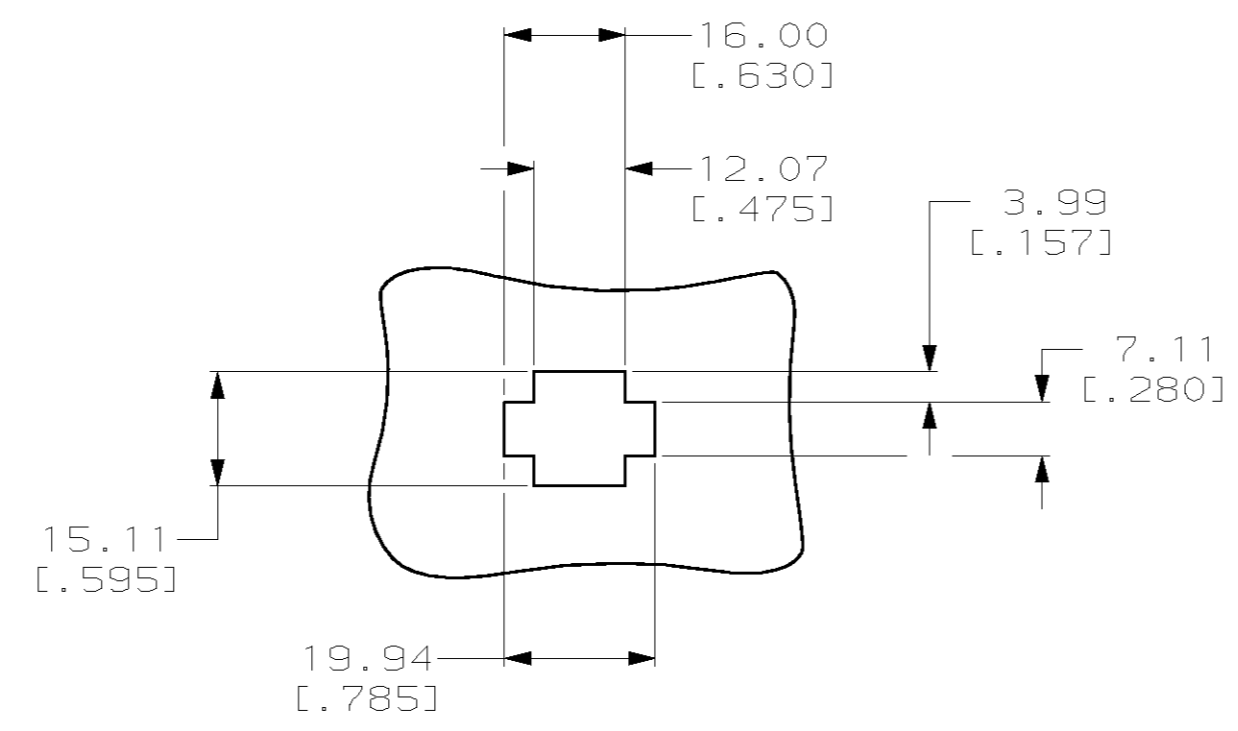
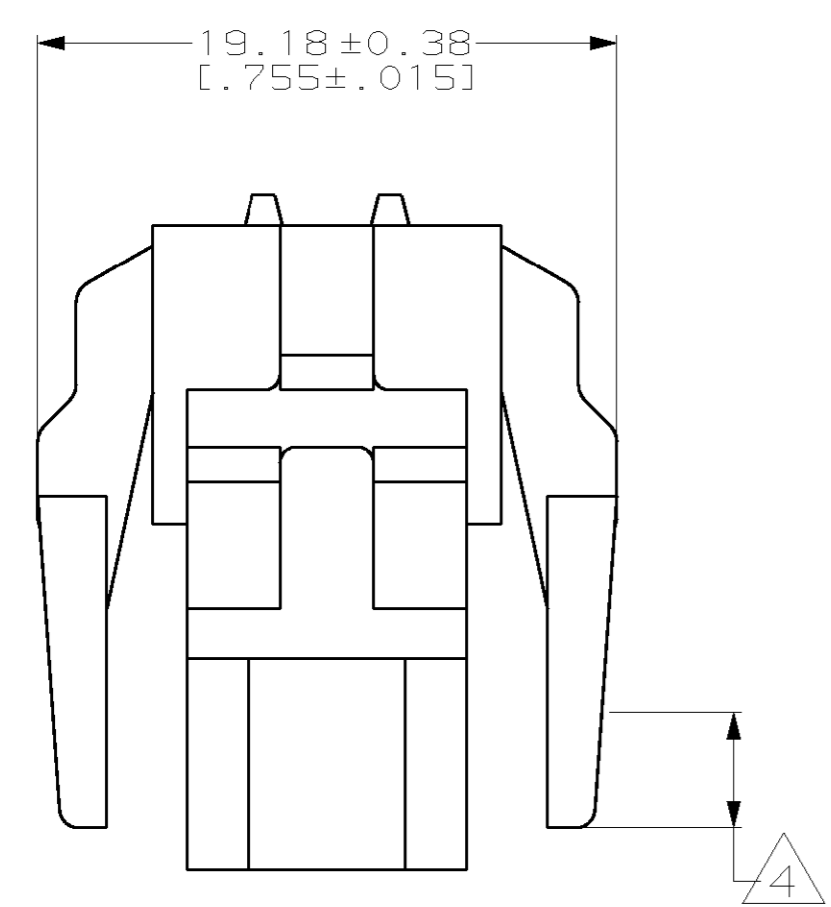
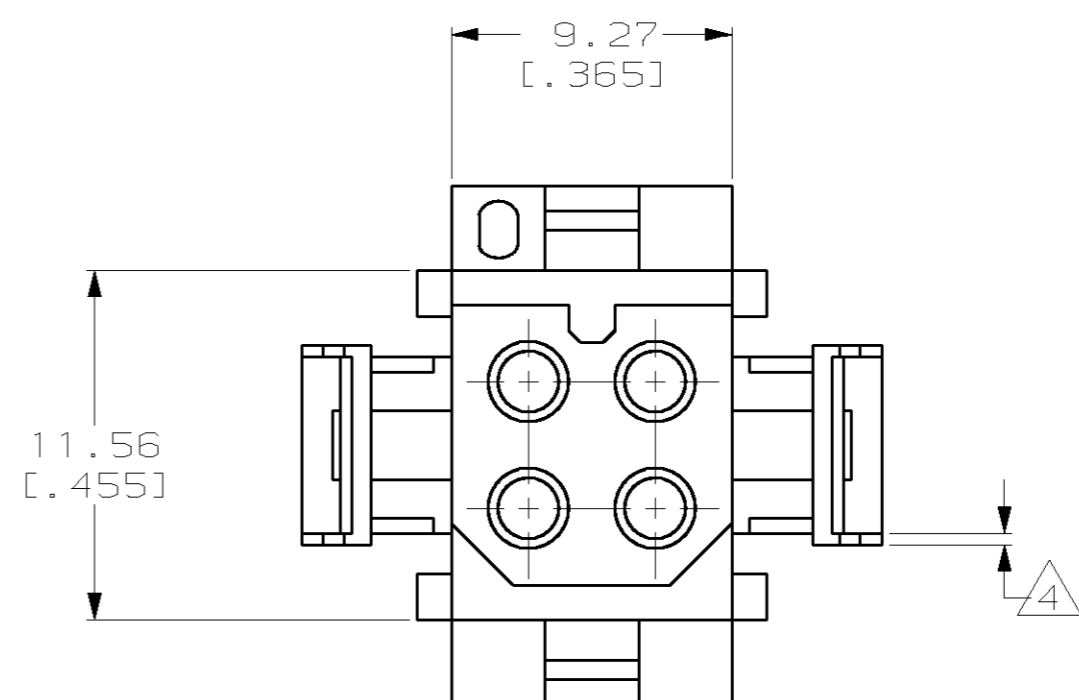
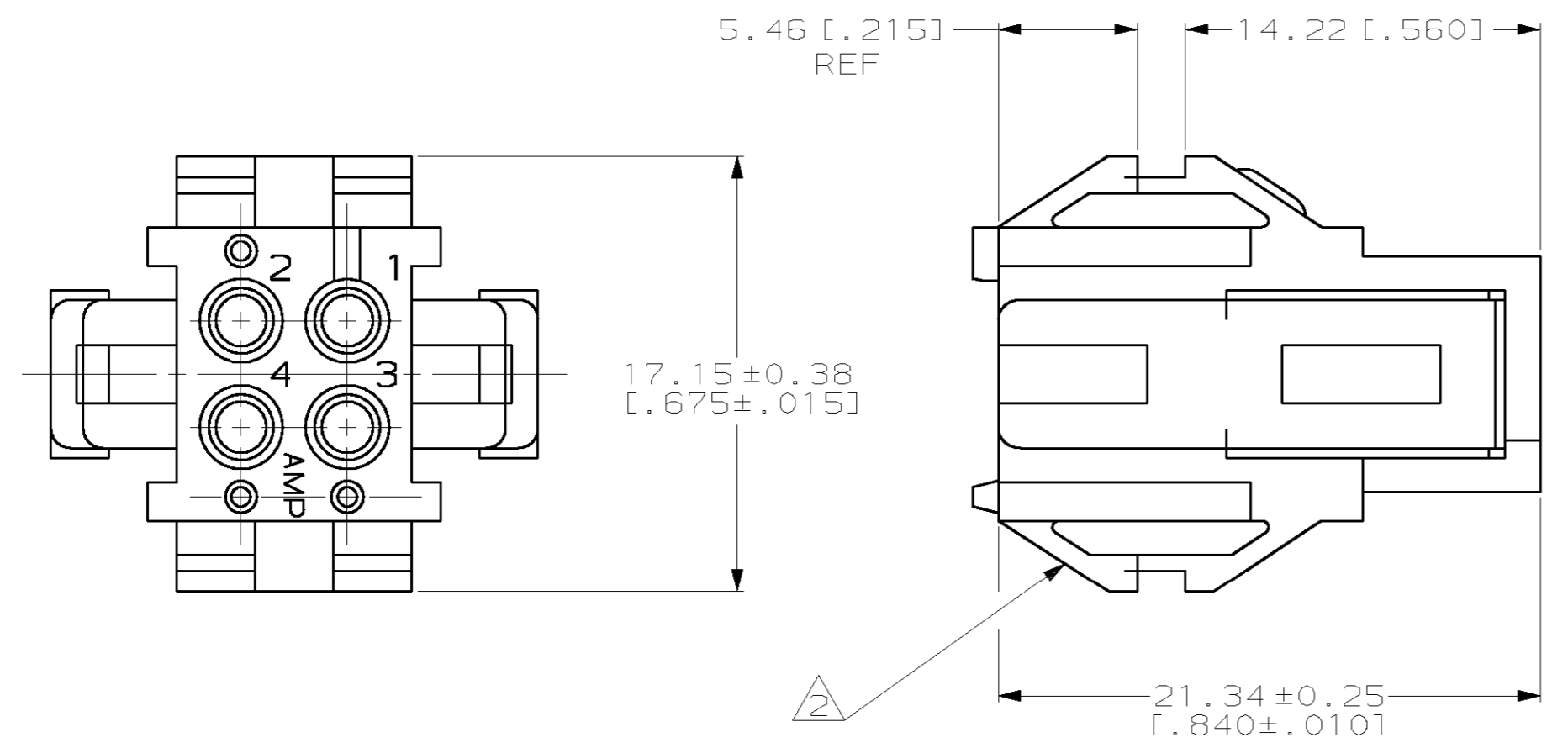


THIS DRAWING IS UNPUBLISHED. RELEASED FOR PUBLICATION .19
 © COPYRIGHT 19 BY AMP INCORPORATED. ALL RIGHTS RESERVED.

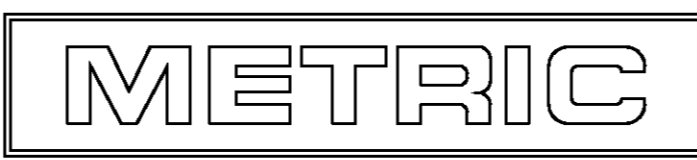
LOC		DIST		REVISIONS			
P	LTR	DESCRIPTION	DATE	DWN	APVD		
CM	52	F		REVISED PER EC 063B-0104-99	05-OCT-99	KW	KC

- MATES WITH HOUSING 640509.
- UL LOGO AND CSA LOGO TO APPEAR ON EITHER LATCH SURFACE PER AMP SPEC 202-20, I.D. NO. 1-18838-3 AND 1-18839-3. FROST BACKGROUND OPTIONAL.
- DIMENSIONS IN BRACKETS ARE IN INCHES.
- NON-FILL PERMITTED UP TO 3.8[.15] FROM EDGE OF LATCH ARM ON THE 0.38[.015] THICK FLANGE, 4 PLC.



RECOMMENDED CUT OUT
 FOR 1.73[.068] MAX THICK PANEL
 SCALE 1:1

1-640519-0
 PART NUMBER



THIS DRAWING IS A CONTROLLED DOCUMENT.		DWN	R. VESTAL	12-01-97	AMP Incorporated Harrisburg, PA 17105-3608
DIMENSIONS:		CHK	R. SWING	12-01-97	
mm [INCHES]		APVD	A. BEDDICK	12-01-97	
		TOLERANCES UNLESS OTHERWISE SPECIFIED:		NAME	
		0 PLC ±-		PRODUCT SPEC	HOUSING, PLUG MRII 4 POSITION
		1 PLC ±-		APPLICATION SPEC	
		2 PLC ±0.13[.005]		WEIGHT	SIZE
		3 PLC ±-		CUSTOMER DRAWING	CAGE CODE
		4 PLC ±-		SCALE	4:1
		ANGLES ±0°30'		SHEET	1 OF 1
		FINISH -		REV	F
MATERIAL NYLON, UL 94V-0, NATURAL (BRICK RED)		DRAWING NO		A2 00779 C-640519	